



# AVM-1 sense microphone

## Product Overview

The AVM-1 sense microphone mounts discreetly into ceilings and provides an analog output over a balanced audio connection. Designed for use with AutoVolume compensation, as featured in select Bose sound processors, the microphone delivers a continuous ambient room noise reference. This allows the AutoVolume algorithm to adjust output zone levels automatically based on activity in the room.

## Key Features

- Discreet, flush-mounted design** blends seamlessly into common ceiling surfaces
- Omnidirectional condenser microphone** capsule operates on phantom power and can be located up to 610 meters (2,000 feet) away from the sound processor
- Spring clips help make installation easy** while keeping the microphone firmly in place
- Condensation cover** protects wire terminals from moisture collection and ensures sustained operation in above-ceiling mounting locations

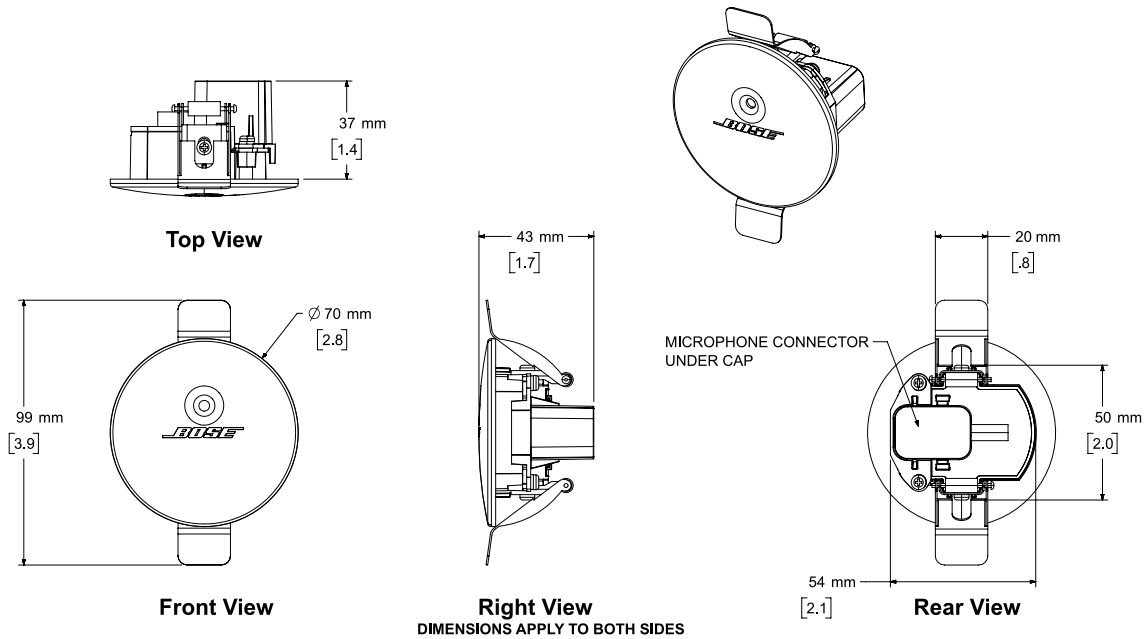
## Product Code

AVM-1 sense microphone      808461-0110



## Technical Specifications

Microphone type	Condenser, requires +48V phantom power
Output	3-pin balanced, connector (fixed terminal)
Compatible with	Bose CSP processors (CSP-1248, CSP-428)



NOTES:  
1. DIMENSIONS ARE IN MILLIMETERS OVER INCHES